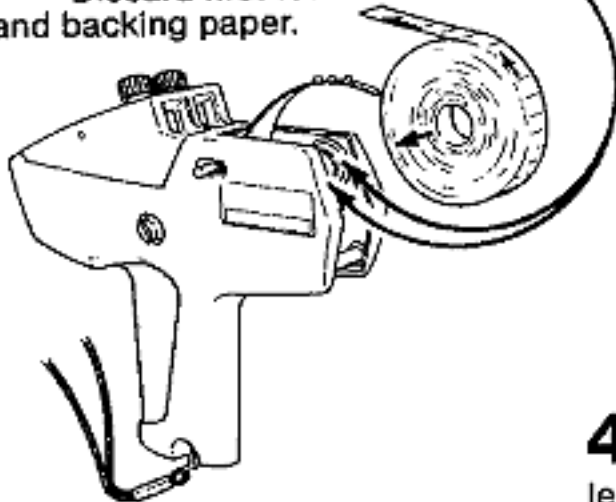


# American Retail Supply Assembly Instructions

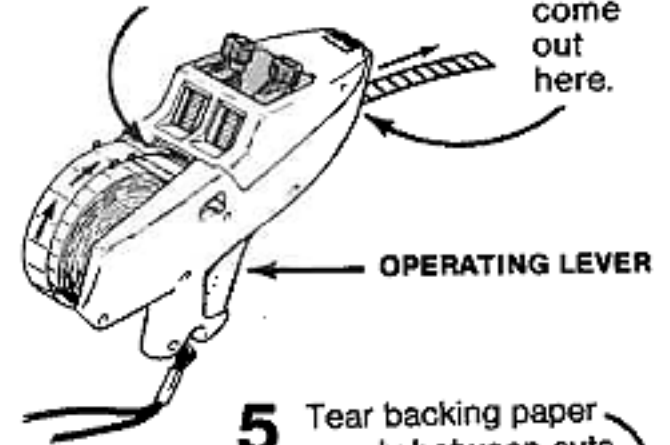
Monarch Model 1115 Labeler  
8207, 8208

## LOADING LABELS

**1** Slide label roll between hubs. Discard first fourteen labels and backing paper.



**2** Squeeze operating lever and feed label strip over spring and under brake wheels until about twelve labels come out here.

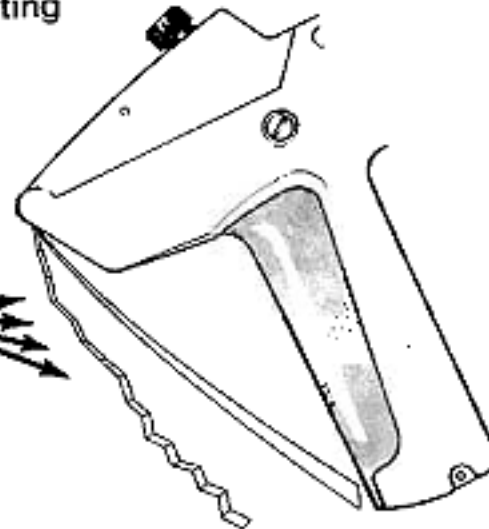


**3** Feed label strip up under plate until two labels come out here.

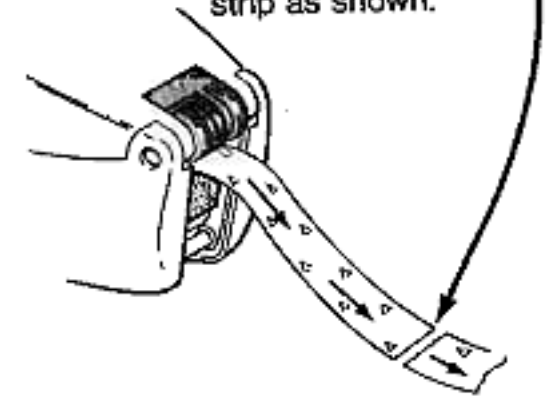


**4** Pull backing paper to the end of the operating lever, separating labels from backing paper.

Discard separated labels.



**5** Tear backing paper evenly between cuts, close to the end of the strip as shown.

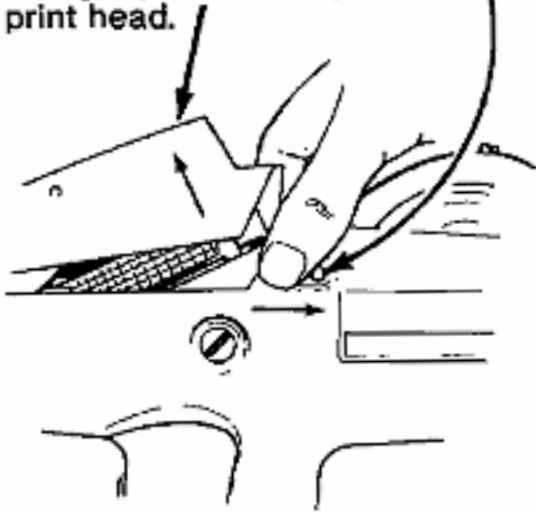


# American Retail Supply Assembly Instructions

Monarch Model 1115 Labeler  
8207, 8208

## INKING

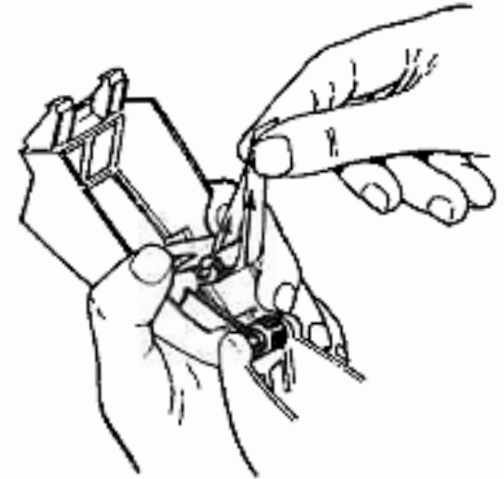
**1** Move two latch buttons toward label roll and swing top cover away from print head.



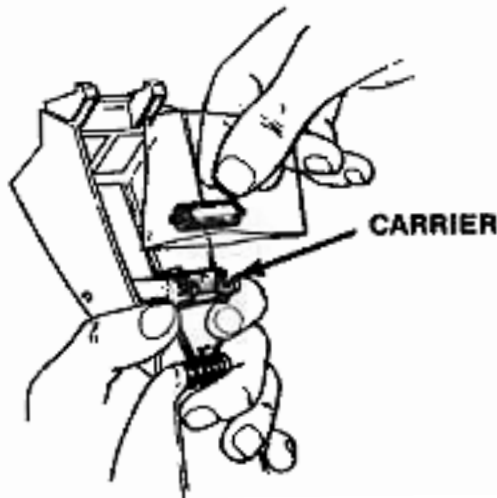
**2** Fold a piece of scrap backing paper.



**3** Insert folded backing paper between ink roll and carrier. Pull to snap old ink roll free.



**4** Cut off end of ink roll package. Using package to protect fingers, slide carrier into package and snap new ink roll into carrier.



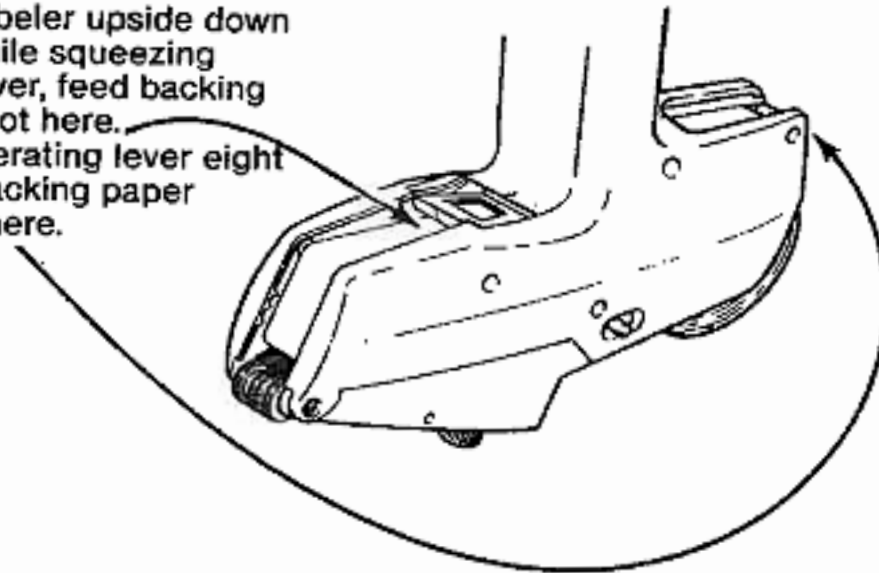
**5** Snap top cover closed.

# American Retail Supply Assembly Instructions

Monarch Model 1115 Labeler

8207, 8208

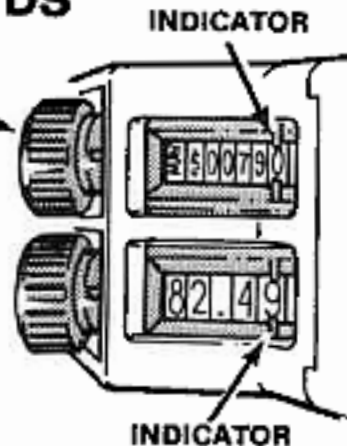
- 6** Hold labeler upside down and, while squeezing operating lever, feed backing paper into slot here. Squeeze operating lever eight times and backing paper should exit here.



- 7** If backing paper does not become taut and exit at rear: Turn labeler upside down, squeeze operating lever and pull backing paper out of slot. Repeat steps 4, 5, and 6.

## SETTING PRINT BANDS

- 1** Pull knob until indicators point to desired band.
- 2** Turn knob until indicators point to desired character or blank.
- 3** Set all bands and push knob in all the way.



- 4** Print a sample label to insure information is correct.
- 5** If character prints UPSIDE DOWN, turn band until you can read the characters correctly. The desired character will probably be coated with ink.